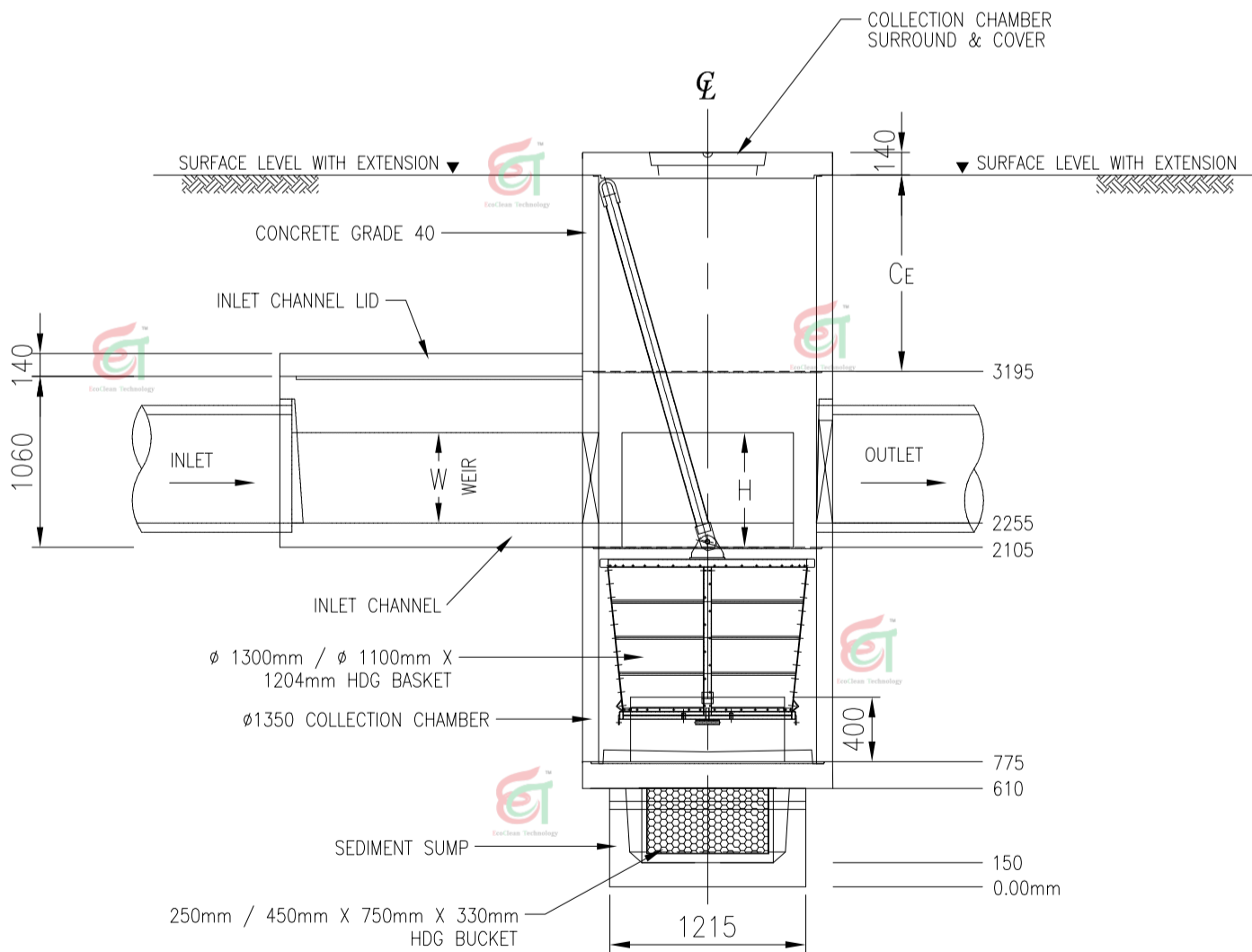


PLAN
 (SURROUND, COVER, LID NOT SHOWN)



SECTION A-A

STANDARD DRAWING

SUBJECT			
DRG NO.	REFERENCE DRAWINGS		
REV	DATE	DESCRIPTION	CH AP

UNLESS OTHERWISE SPECIFIED, ALL DIMENSIONS ARE IN MILLIMETRE.
 DO NOT SCALE DRAWING. USE WRITTEN DIMENSIONS ONLY.


FOR TENDER ONLY


NOTES :
 THE DIMENSIONS OF ACTUAL PRECAST COMPONENTS MAY BE DIFFERENT FROM THE DRAWINGS. CONTRACTORS MUST CONDUCT MEASUREMENT ON SITE PRIOR EXCAVATION AND SHALL NOTIFY ECOCLEAN TECHNOLOGY SDN. BHD. OF ANY DISCREPANCIES FOUND. ECOCLEAN TECHNOLOGY SDN. BHD. SHALL NOT BE LIABLE OF ANY COST INCURRED AS A RESULT OF SUCH DISCREPANCIES.

OWNER:

CONSULTING ENGINEER:

CONTRACTOR:

MALAYSIAN LICENSEE:

 ECOCLEAN TECHNOLOGY SDN. BHD.
 12A-18, WISMA ZELAN,
 JALAN TASIK PERMAISURI 2,
 BANDAR TUN RAZAK, CHERAS,
 56000 KUALA LUMPUR
 TEL: 603 - 9171 8160
 FAX: 603 - 9171 9160
 E-MAIL: sales@ecoclean.com.my

PATENT RIGHT HOLDER:

 ROCLA PTY. LTD.
 ABN 31 000 032 191
 72, ORCHARDLIEGH,
 ST. GUILDFORD, NSW 2161
 Tel : (07)-4042 3400
 Fax : (07)-4042 3401

PROJECT:

TITLE	CleansAll CL 600 - OFFLINE GENERAL ARRANGEMENT RIGHT HAND INSTALLATION WITH EXTENSION		
Project	CHECKED BY	YALE WONG	
Unit In : mmm	SCALE : 1 : 35	DATE :	27/08/2018
Job No :			
Dwg No :	ECT/STD/CL600/OFFLINE/01		
	REV	0	