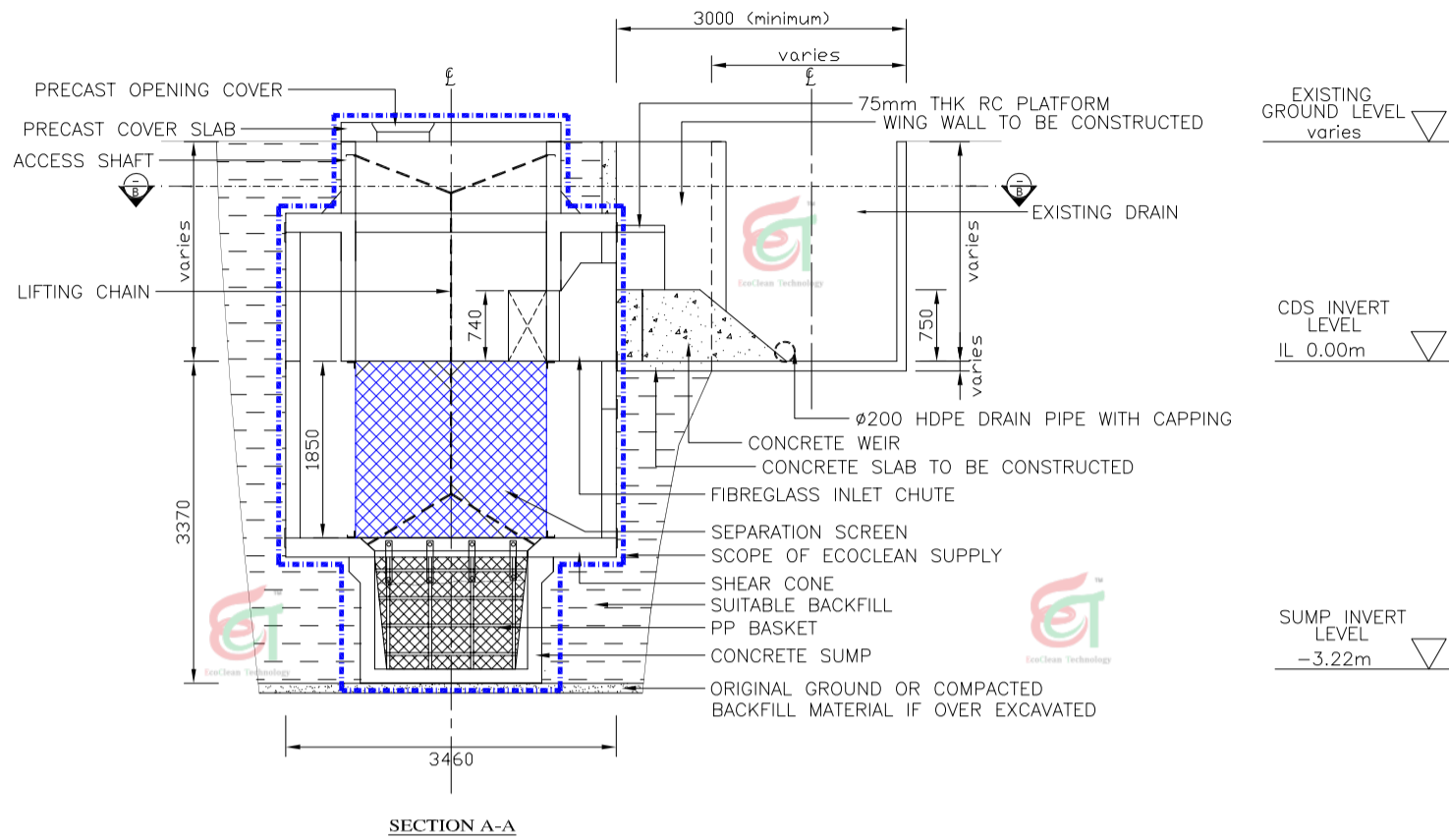




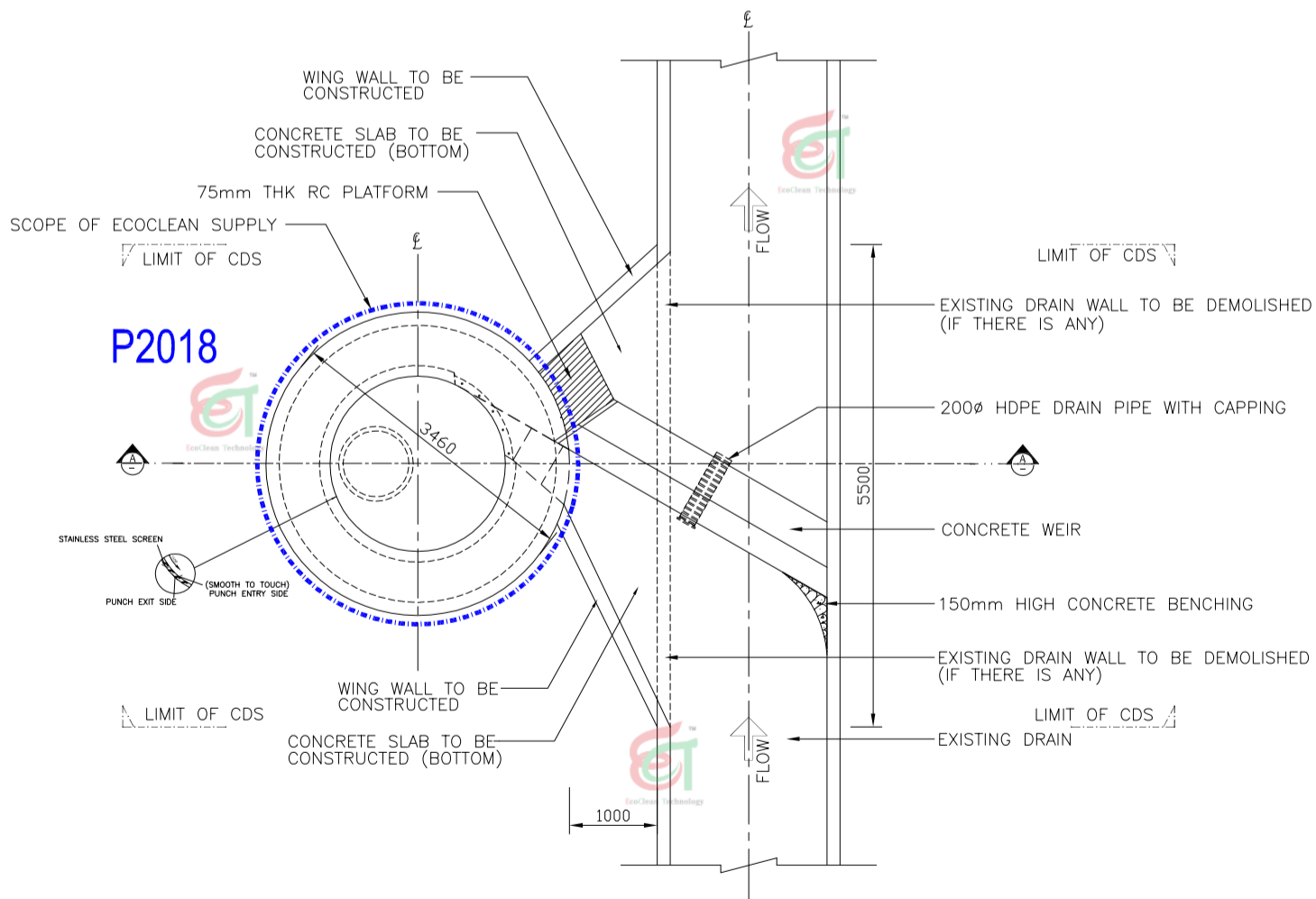
AUSTRALIAN AND INTERNATIONAL patents registered ROCLA PROPRIETARY LIMITED - ACN. 31 000 032 191
CONFIDENTIAL
 THE DESIGN DRAWINGS AND ALL INFORMATION AND CONCEPTS SPECIFIED THEREIN ARE CONFIDENTIAL AND MAY BE USED ONLY FOR THE PROJECT DESIGNATED BY CDS. CDS POLICY IS TO PROTECT ITS TECHNOLOGY AND CONFIDENTIAL INFORMATION. CDS WILL TAKE APPROPRIATE LEGAL ACTION WHERE UNAUTHORISED OR IMPROPER USE OR DISCLOSURE HAS BEEN MADE OF ITS CONFIDENTIAL INFORMATION. ALL DESIGN DRAWINGS AND OTHER CONFIDENTIAL INFORMATION ARE TO BE DESTROYED OR RETURNED TO CDS UPON COMPLETION OF THE DESIGNATED PROJECT, UNLESS REQUIRED FOR ESSENTIAL RECORD KEEPING.

COPYRIGHT

© ROCLA PROPRIETARY LIMITED - ACN. 31 000 032 191
 THE UNAUTHORISED USE OR REPRODUCTION OF THE DESIGN DRAWINGS IS A BREACH OF THE COPYRIGHT ACT.
 BREACHES OF THE COPYRIGHT ACT WILL BE PROSECUTED.



SECTION A-A



PLAN - SECTION B-B

SUBJECT

DRG NO.	REFERENCE DRAWINGS

REV	DATE	DESCRIPTION	CH	AP

REFERENCE DRAWINGS
 UNLESS OTHERWISE SPECIFIED, ALL DIMENSIONS ARE IN MILLIMETRE
 DO NOT SCALE DRAWING, USE WRITTEN DIMENSIONS ONLY

FOR TENDER ONLY

NOTES :
 THE DIMENSIONS OF ACTUAL PRECAST COMPONENTS MAY BE DIFFERENT FROM THE DRAWINGS, CONTRACTORS MUST CONDUCT MEASUREMENT ON SITE PRIOR EXCAVATION AND SHALL NOTIFY ECOCLEAN TECHNOLOGY SDN. BHD. OF ANY DISCREPANCIES FOUND. ECOCLEAN TECHNOLOGY SDN. BHD. SHALL NOT BE LIABLE OF ANY COST INCURRED AS A RESULT OF SUCH DISCREPANCIES.

OWNER:

CONSULTING ENGINEER:

CONTRACTOR:

MALYSIAN LICENSEE:

ECOCLEAN TECHNOLOGY SDN. BHD.
 12A-18, WISMA ZELAN,
 JALAN TASIK PERMAISURI 2,
 BANDAR TUN RAZAK, CHERAS,
 56000 KUALA LUMPUR
 TEL: 603 - 9171 8160
 FAX: 603 - 9171 9160
 E-MAIL: sales@ecoclean.com.my

PATENT RIGHT HOLDER:

ROCLA Pty. Ltd.
 ABN 31 000 032 191
 72, ORCHARDLIEGH,
 ST. GUILDFORD, NSW 2161
 Tel : (07)-4042 3400
 Fax : (07)- 4042 3401

PROJECT:

TITLE CDS UNIT PLAN AND SECTIONS - P2018 (BASKET)

Project Unit In : mm SCALE : 1:40

Job No : Dwg No : ECT/STD/P2018/SEC/01 REV 0

STANDARD DRAWING