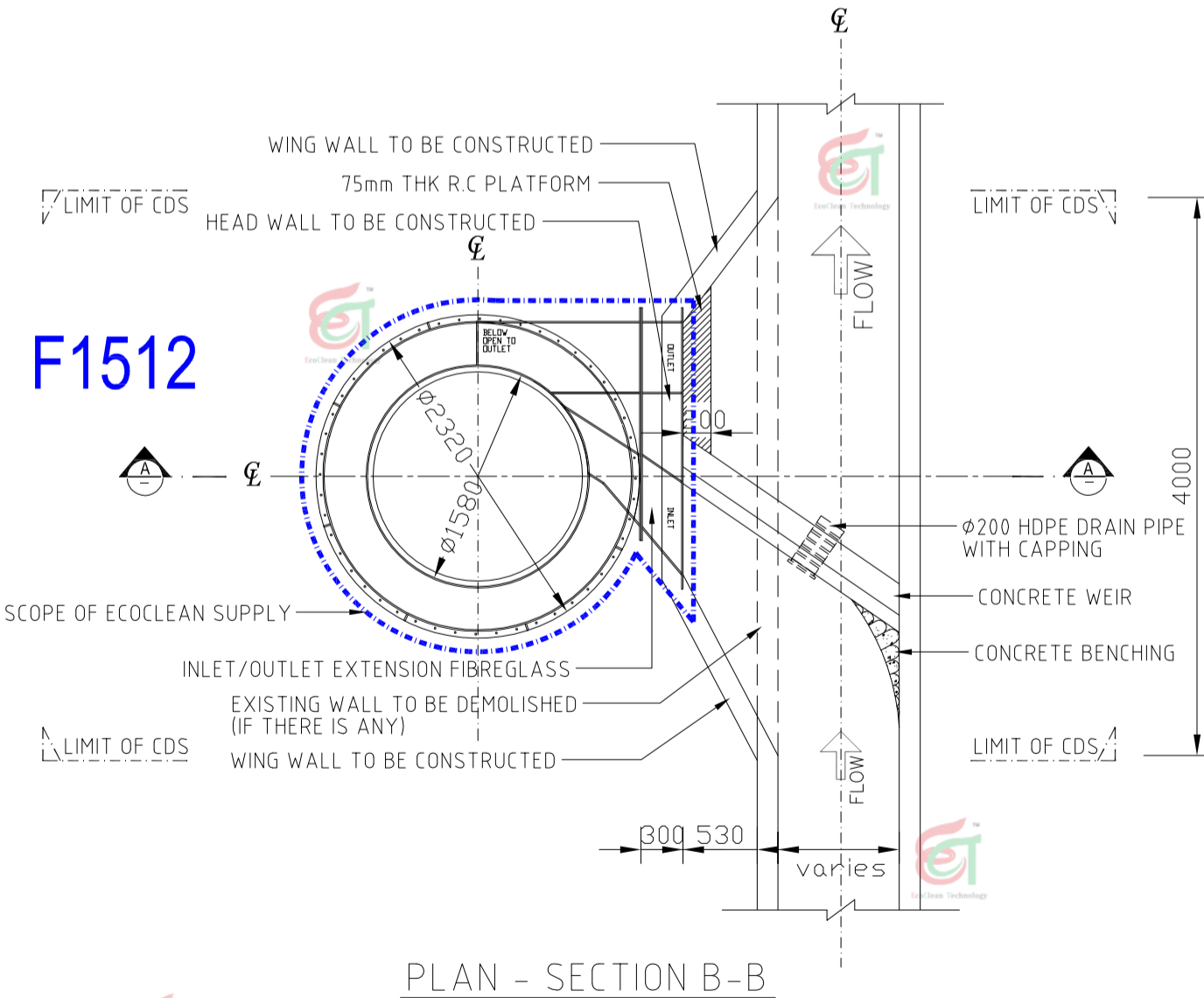


SECTION A-A

EXISTING GROUND LEVEL varies

CDS INVERT LEVEL 0.00m

SUMP INVERT LEVEL -2.475m



PLAN - SECTION B-B

F1512

STANDARD DRAWING

AUSTRALIAN AND INTERNATIONAL patents registered ROCLA PROPRIETARY LIMITED - ACN. 31 000 032 191
 CONFIDENTIAL
 THE DESIGN DRAWINGS AND ALL INFORMATION AND CONCEPTS SPECIFIED THEREIN ARE CONFIDENTIAL AND MAY BE USED ONLY FOR THE PROJECT DESIGNATED BY CDS. CDS POLICY IS TO PROTECT ITS TECHNOLOGY AND CONFIDENTIAL INFORMATION. CDS WILL TAKE APPROPRIATE LEGAL ACTION WHERE UNAUTHORISED OR IMPROPER USE OR DISCLOSURE HAS BEEN MADE OF ITS CONFIDENTIAL INFORMATION. ALL DESIGN DRAWINGS AND OTHER CONFIDENTIAL INFORMATION ARE TO BE DESTROYED OR RETURNED TO CDS UPON COMPLETION OF THE DESIGNATED PROJECT, UNLESS REQUIRED FOR ESSENTIAL RECORD KEEPING.

COPYRIGHT
 © ROCLA PROPRIETARY LIMITED - ACN. 31 000 032 191
 THE UNAUTHORISED USE OR REPRODUCTION OF THE DESIGN DRAWINGS IS A BREACH OF THE COPYRIGHT ACT. BREACHES OF THE COPYRIGHT ACT WILL BE PROSECUTED.

SUBJECT

DRG NO. REFERENCE DRAWINGS

REV DATE DESCRIPTION CH AP

REFERENCE DRAWINGS

UNLESS OTHERWISE SPECIFIED, ALL DIMENSIONS ARE IN MILLIMETRE. DO NOT SCALE DRAWING, USE WRITTEN DIMENSIONS ONLY.

FOR TENDER ONLY

NOTES :
 THE DIMENSIONS OF ACTUAL PRECAST COMPONENTS MAY BE DIFFERENT FROM THE DRAWINGS. CONTRACTORS MUST CONDUCT MEASUREMENT ON SITE PRIOR EXCAVATION AND SHALL NOTIFY ECOCLEAN TECHNOLOGY SDN. BHD. OF ANY DISCREPANCIES FOUND. ECOCLEAN TECHNOLOGY SDN. BHD. SHALL NOT BE LIABLE OF ANY COST INCURRED AS A RESULT OF SUCH DISCREPANCIES.

OWNER:

CONTRACTOR:

MALAYSIAN LICENSEE:

 ECOCLEAN TECHNOLOGY SDN. BHD.
 12A-18, WISMA ZELAN,
 JALAN TASEK PERMAISURI 2,
 BANDAR TUN RAZAK, CHERAS,
 56000 KUALA LUMPUR
 TEL: 603 - 9171 8160
 FAX: 603 - 9171 9160
 E-MAIL: sales@ecoclean.com.my

PATENT RIGHT HOLDER:

 ROCLA Pty. Ltd.
 ABN 31 000 032 191
 72, ORCHARD LIEGH,
 ST. GUILDFORD, NSW 2161
 Tel : (07)-4042 3400
 Fax : (07)-4042 3401

PROJECT:

TITLE CDS UNIT PLAN AND SECTIONS - F1512 (BASKET)

Project	Unit In : mmm	SCALE :	1:60
Job No :			
Dwg No :	ECT/STD/F1512/SEC/01	REV	0